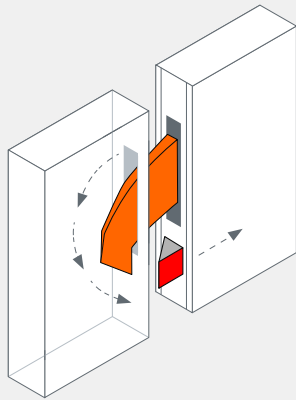


AUTOMATIC HOOK LOCKING

GERMAN WINDOWS



Locked.
Automatically.



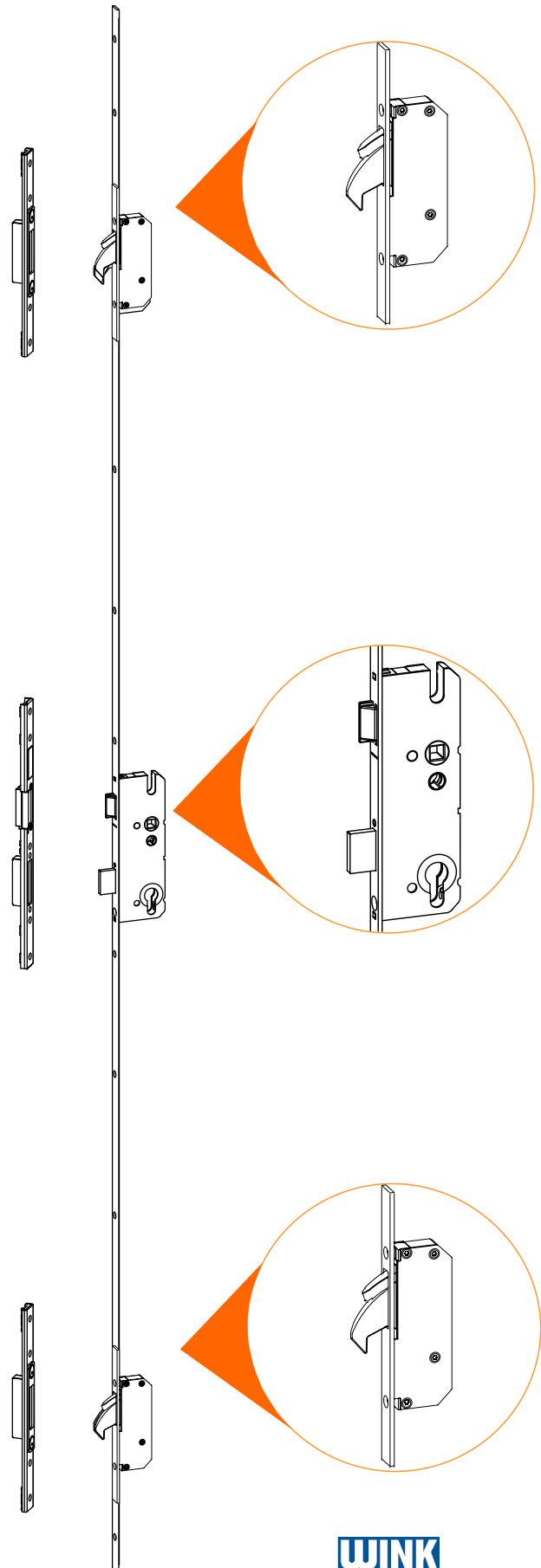
Automatic three-point locking system

Sometimes when you are leaving home, your mind is already on other things. A good reason to install our AUTOMATIC DOOR LOCKING SYSTEM. When the door is pulled, two solid hooks immediately grip into the door frame. The locked door can still be opened - from the inside using the door handle and from the outside using the key.

This locking is KEY operated.

OUTSIDE DOOR can be equipped with:

- * Pull Handle or
- * Fixed Knob



Always precise **WINK HAUS**

